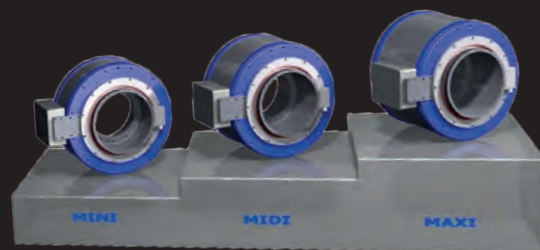




Torque support

- The special torque support provides three-dimensional motion compensation
- No connections to the frame are needed
- Tensions which can lead to destruction of the torque support are avoided

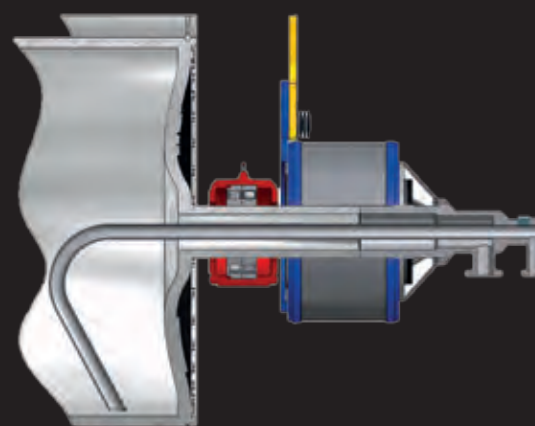


Model range

Size	MINI	MIDI	MAXI
Power (kW)	35	70	90
Nominal speed (rpm)	200	200	200
Max. rpm	400	400	400
Rated torque (Nm)	1700	3350	4300
Max. torque (Nm)	2300	4500	5900
Weight (kg)	460	560	660

Steam feed-through

- Thermal decoupling of the pivot prevents thermal input to the FlexoDrive®
- Simultaneously, the cooling system provides for optimal heat removal
- Thermal class H for highly dynamic drives
- Power absorption of the usual reaction forces from the steam and condensate system



AS Drives & Services GmbH

Industriestraße 17
D-48734 Reken

Tel.: +49 28 64 90 08-0
Fax: +49 28 64 90 08-80

info@as-drives.com
www.as-drives.com

FlexoDrive®

The multifunctional direct drive



Your machine drives us on



FlexoDrive®

The multifunctional direct drive

- For all speed ranges
- Paper machine-driven development
- Ideal in tight spaces
- Reduces energy costs

FlexoDrive®

Synchronous motor with high-temperature permanent magnet technology

- Feed-through of steam and condensate
- Installation at the driving side as well as on the operating side
- Short design enables installation within the drying hood, directly at the dryer cylinder
- High torque
- Extremely high efficiency in all operating points (up to 94%)
- Fast installation
- Very high axial forces can be absorbed
- Light-weight, high performance
- Insulated bearings prevent passage of current

PM/PD Converter 1000

Frequency converter designed for the FlexoDrive®

- Simple connection to the PLC
- Preconfigured and ready for connection
- Fast commissioning



Cooliflex®

Aggregate for tailored tempering of the FlexoDrive®

- Optionally: water cooling or air cooling
- Redundant pump system
- Closed circuit
- Frequency controlled for constant differential pressure = energy saving!
- Heating element maintains the temperature above the minimum temperature (e.g. in case of longer standstills)



FlexoFlow® Water

Controller to keep all components in the optimum temperature range

- Avoids condensate and overheating
- Averts unnecessary temperature fluctuations

